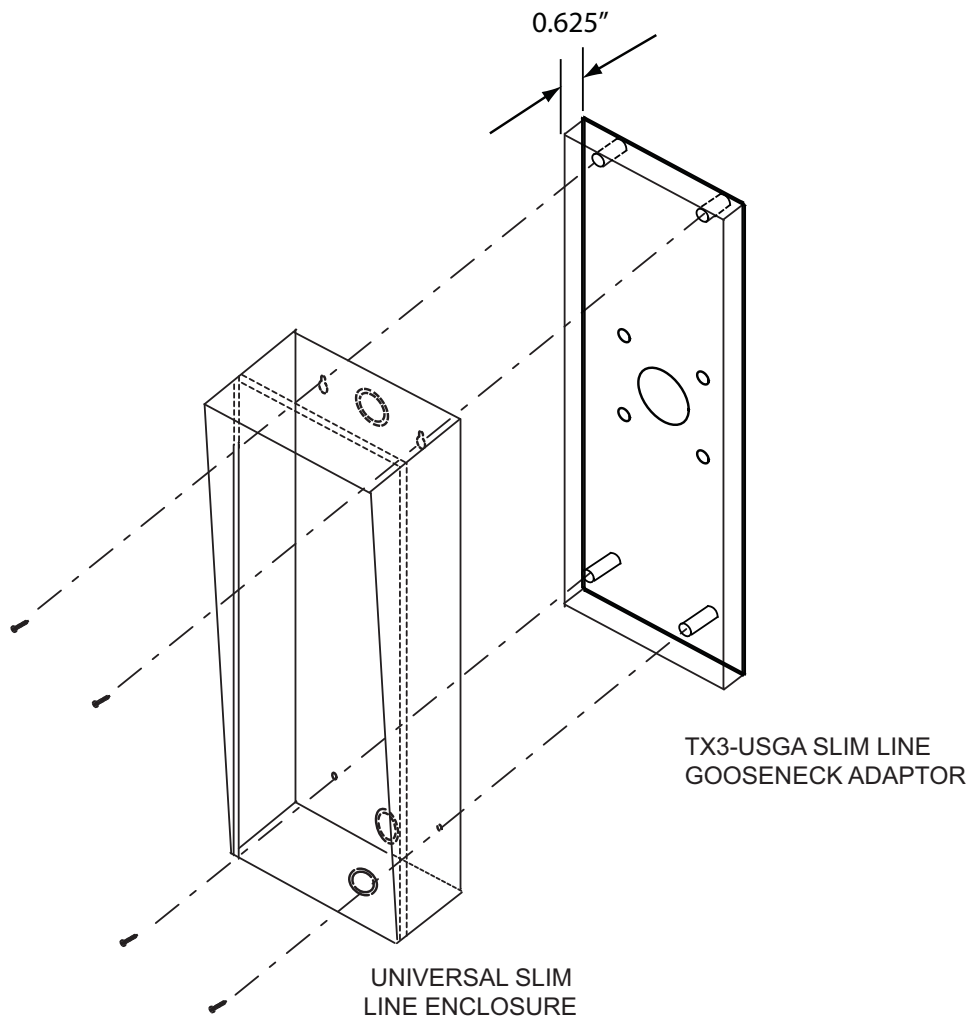


Figure 2: TX3-USGA Slim Line Universal Gooseneck Adaptor



Dimension of the Universal Slim Line Enclosure
without the flush trim is:
16.25" H x 6.4" W x 2.75" D at bottom, 3" D at top

Installation instructions for UGA and USGA Gooseneck Adaptors:

1. Feed the wires from the TX3 telephone access through the centre large hole of the gooseneck adaptor.
2. Then mount the gooseneck adaptor to the pedestal or other enclosure.
3. Secure the gooseneck with four screws whose holes surround the centre large hole.
4. Place the TX3 backbox on top on the gooseneck adaptor. Use the four 8-32" screws provided with the TX3 panel to fasten the TX3 backbox to the gooseneck adaptor through the mounting holes to the standoffs on the gooseneck adaptor as shown by dotted line.