

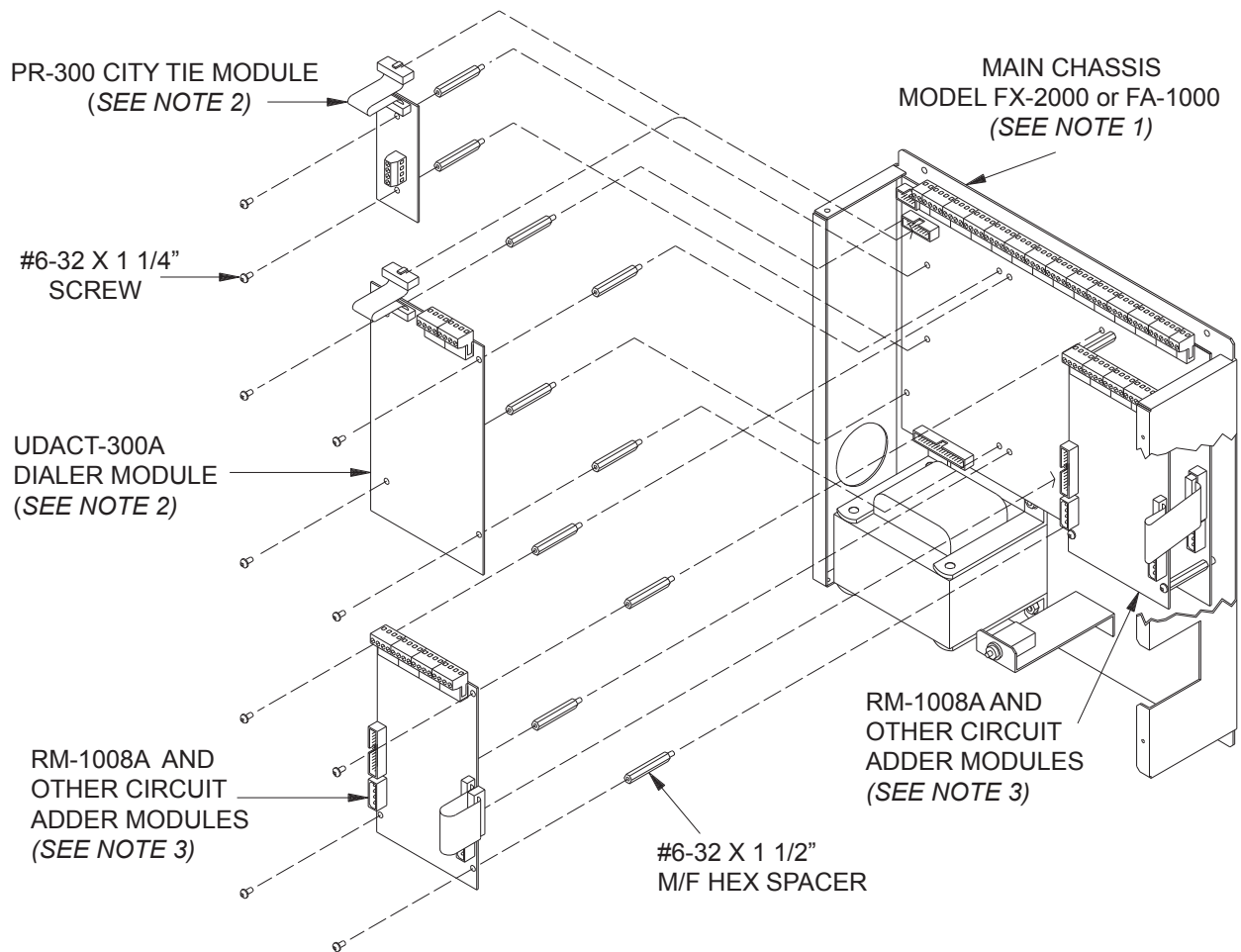
Module Mounting Locations

For both the FA-1000 and FX-2000 Fire Alarm Panel, the RM-1008A may be mounted in the same locations as other adder modules. Refer to Figure 1 below for mounting locations.



Note: Only the last circuit adder module should have a jumper plug on its continuity jumper; all others must be left without a jumper plug.

Figure 1: Module Mounting Locations

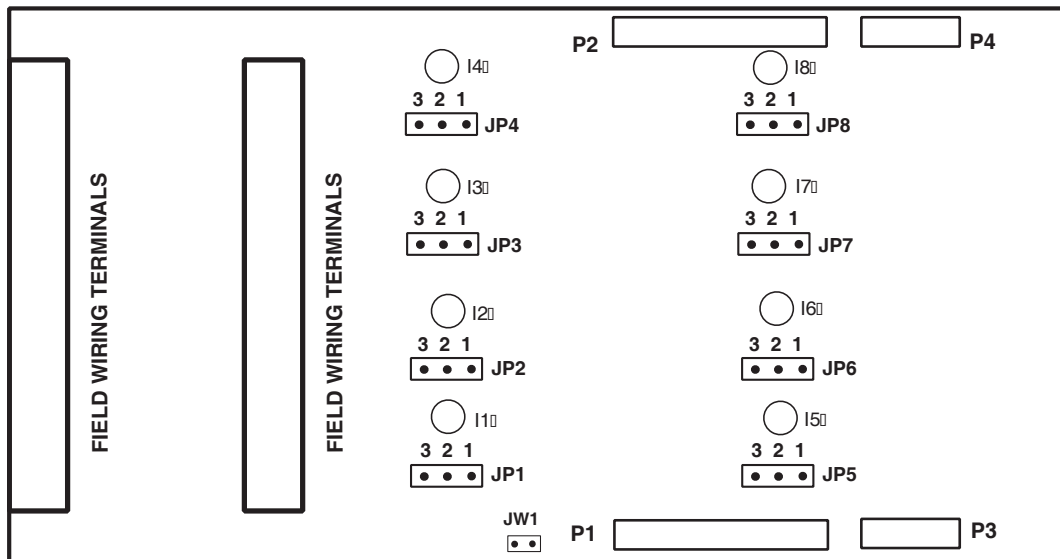


Notes:

1. Front plate is not shown.
2. Reserved for PR-300 or UDACT-300A
3. Other circuit adder modules may be:
 - DM-1008A Detection Circuit Adder Module
 - SGM-1004A Signal Circuit Adder Module
 - **RM-1008A Relay Circuit Adder Module**
 - ALC-198S Loop Adder Module for FX-2000
 - ALC-396S Loop Adder Module for FX-2000
 - ALC-H16 Hardwire Loop Controller Module for FX-2000

Terminal and Jumper Locations

Figure 2: RM-1008A Relay Adder Module



- P2:** Data cable goes to P5 (on the FA-1000), or P6 (on the FX-2000) of main fire alarm module, or to the FX-2000 loop controller module, or to the previous adder modules.
- P1:** Data connector for next adder module.
- P4:** Power connector goes to P8 of the FX-2000 (P6 of the FA-1000) main fire alarm module, or to P2 of the FX-2000 loop controller module, or to the previous adder module.
- P3:** Power connector for next adder module.
- JW1:** **If and only if** this module is the last in a chain of conventional adder modules, short this jumper. Otherwise this jumper must remain open.
- JP1-JP8:** Move jumpers from pins 1 and 2 to 2 and 3 to connect relay commons between two or more relays.



Note: Refer to operating manual of the Fire Alarm Panel such as the FA-1000 and the FX-2000 for complete and specific details regarding mounting, function selection and wiring.