



CONTINENTAL TYPE ENCLOSURES USED FOR INSTALLATION OF THE MCS-6001S and MCS-6001SH LOBBY PANELS

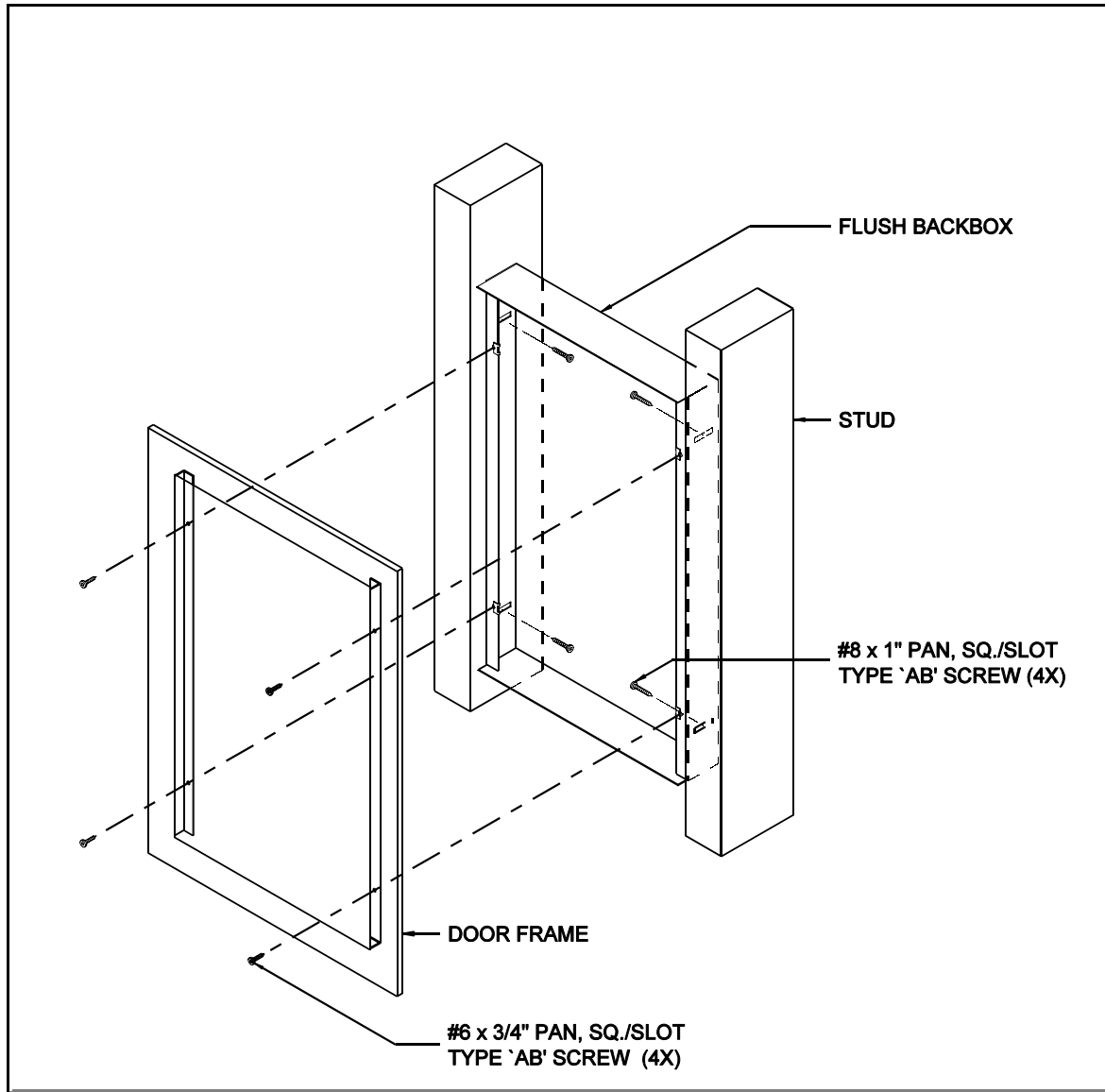


Figure 1: Flush Mount Installation

Mount the enclosures as shown in Fig. 1 and Fig. 2.

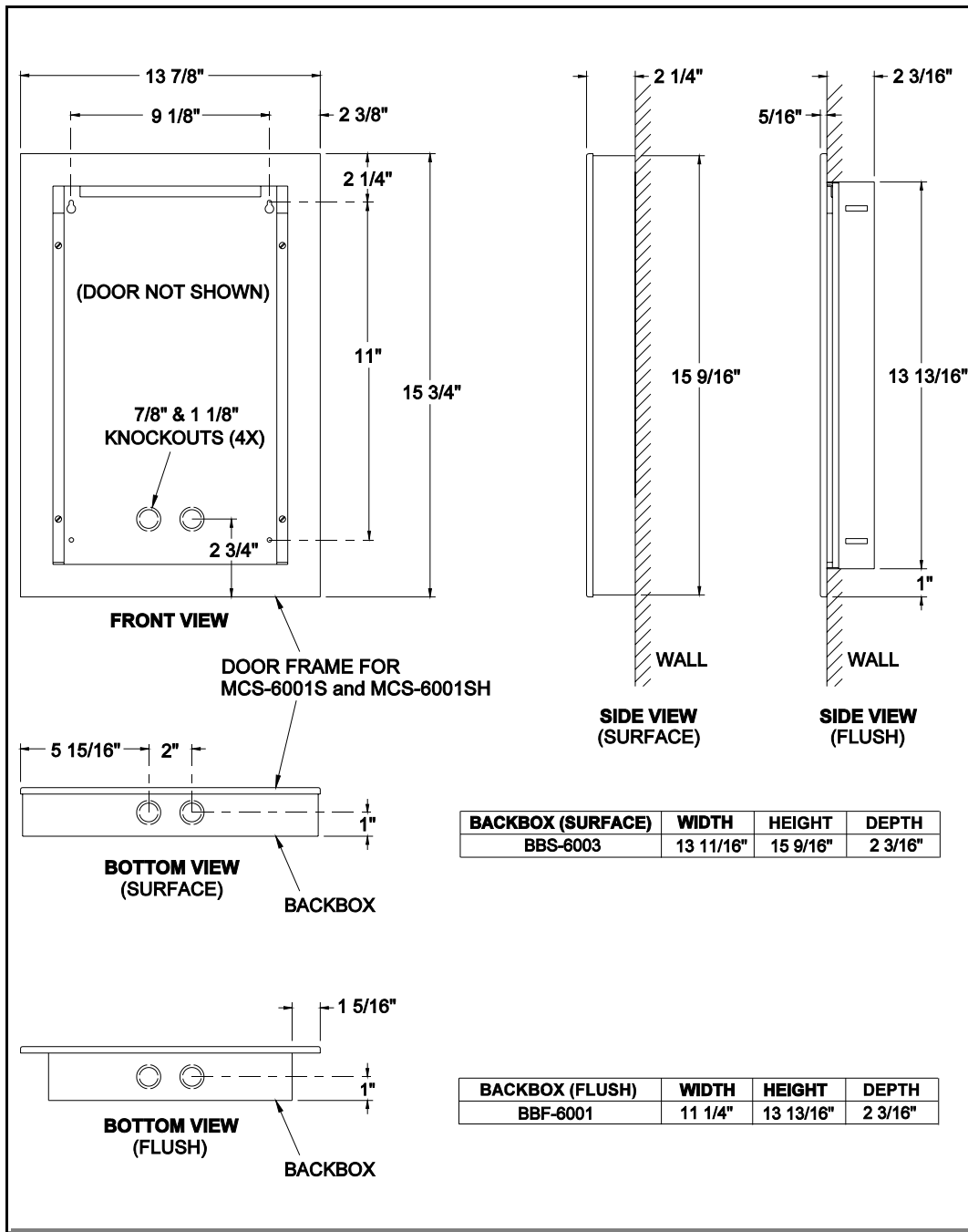


Figure 2: Flush and Surface Mount Dimensions

For complete installation information, please see LT-646 (TAS 2000 Series Manual).

MIRCOM TECHNOLOGIES LTD.
 25 Interchange Way
 Vaughan Ontario
 Canada L4K 5W3
 Tel.: (905) 660-4655
 Fax: (905) 660-4113