



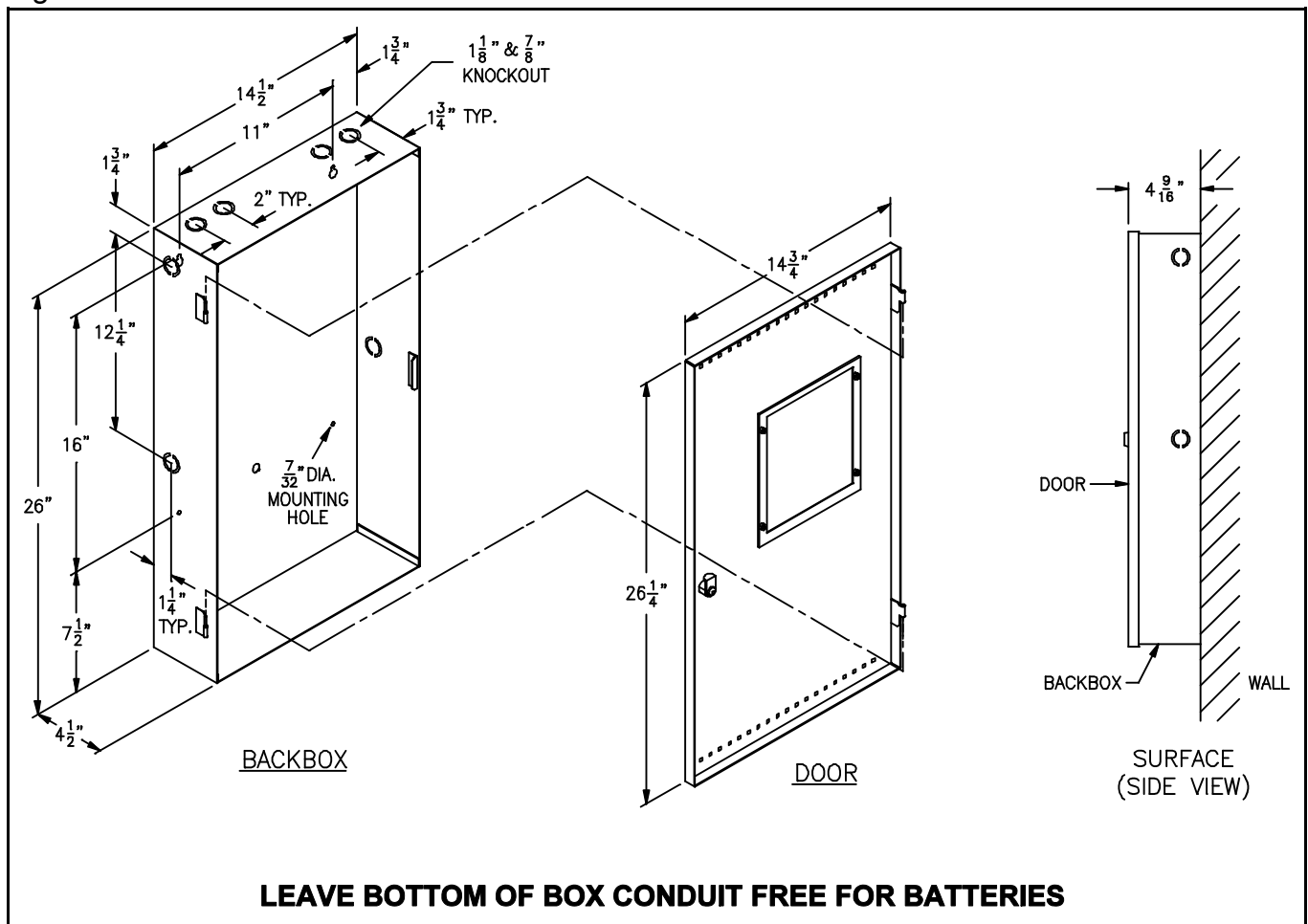
## MODELS FX-2001-6K and FX-2001-6KU

One Analog Loop Fire Alarm Kit

The Model FX-2001-6K is a one addressable loop fire alarm kit which includes a beige BBX-1024 Enclosure and a main chassis with main fire alarm board which provides one addressable loop. On the main fire alarm board there is provision for mounting a PR-100 City Tie module or a DACT-100A Digital Transmitter or a UDACT-100A Digital Transmitter. The Model FX-2001-6KU is the same kit as the Model FX-2001-6K except this kit has a red enclosure BBX-1024R. Both models have 6A power supplies.

Mechanical Installation: Mount the BBX-1024/R enclosure as shown below in Figure 1.

Figure 1



The chassis setup for each kit is shown in Figure 2 below.

**WIRING:**

1. For main fire alarm board addressable loop wiring see the LT-657 FX-2000 Installation Manual section 7.1 and 7.2.
2. For DACT or UDACT wiring see LT-657 FX-2000 Installation Manual section 6.9 and 7.8. Also refer to the DACT or UDACT Instruction Manual.
3. For PR-100 City Tie and Polarity Reversal wiring refer to LT-657 FX-2000 Installation Manual section 6.8 and 7.7.

Figure 2

