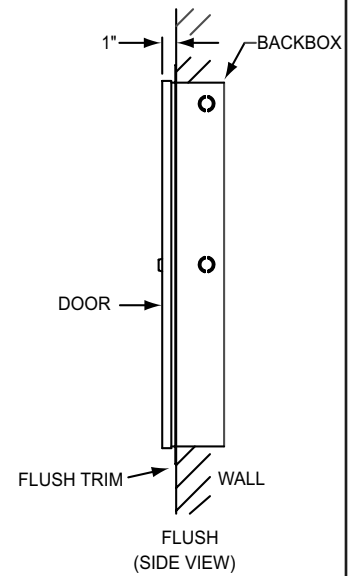
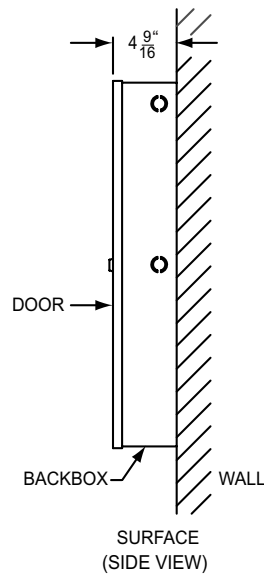
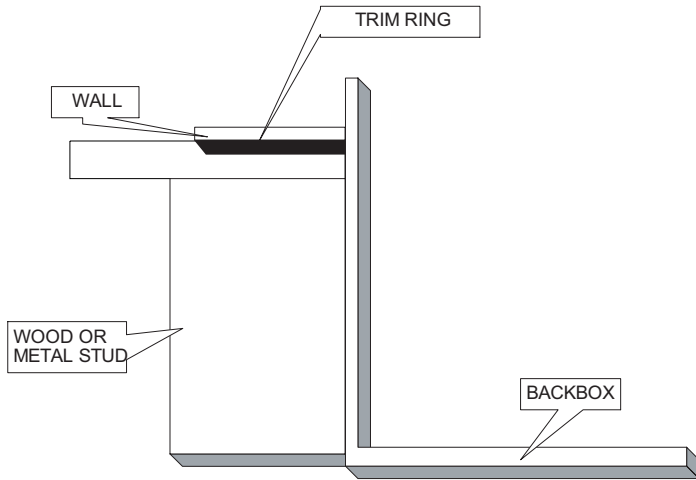
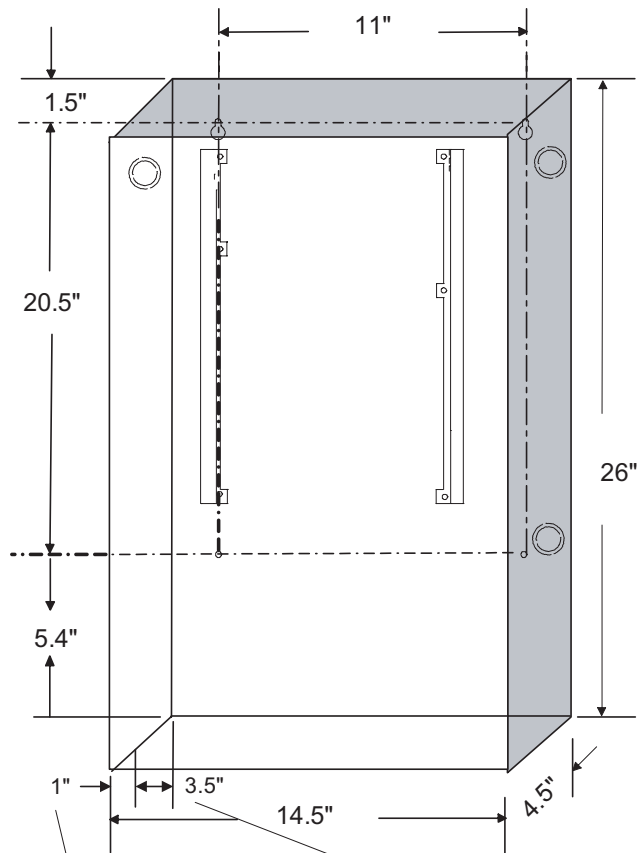
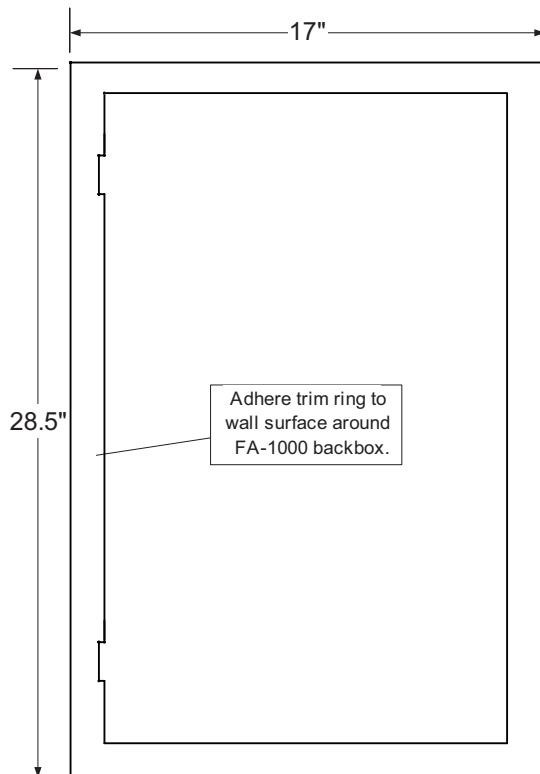


MATERIAL: 18GA (0.048") THICK COLD ROLLED STEEL  
FINISH: PAINTED



PLACE FA-UNIV-TRB TRIM RING OVER BACKBOX



1" is the minimum depth above the wall required for semi-flush mounting using the flush trim ring

3.5" is the maximum depth for semi-flush mounting using the flush trim ring