

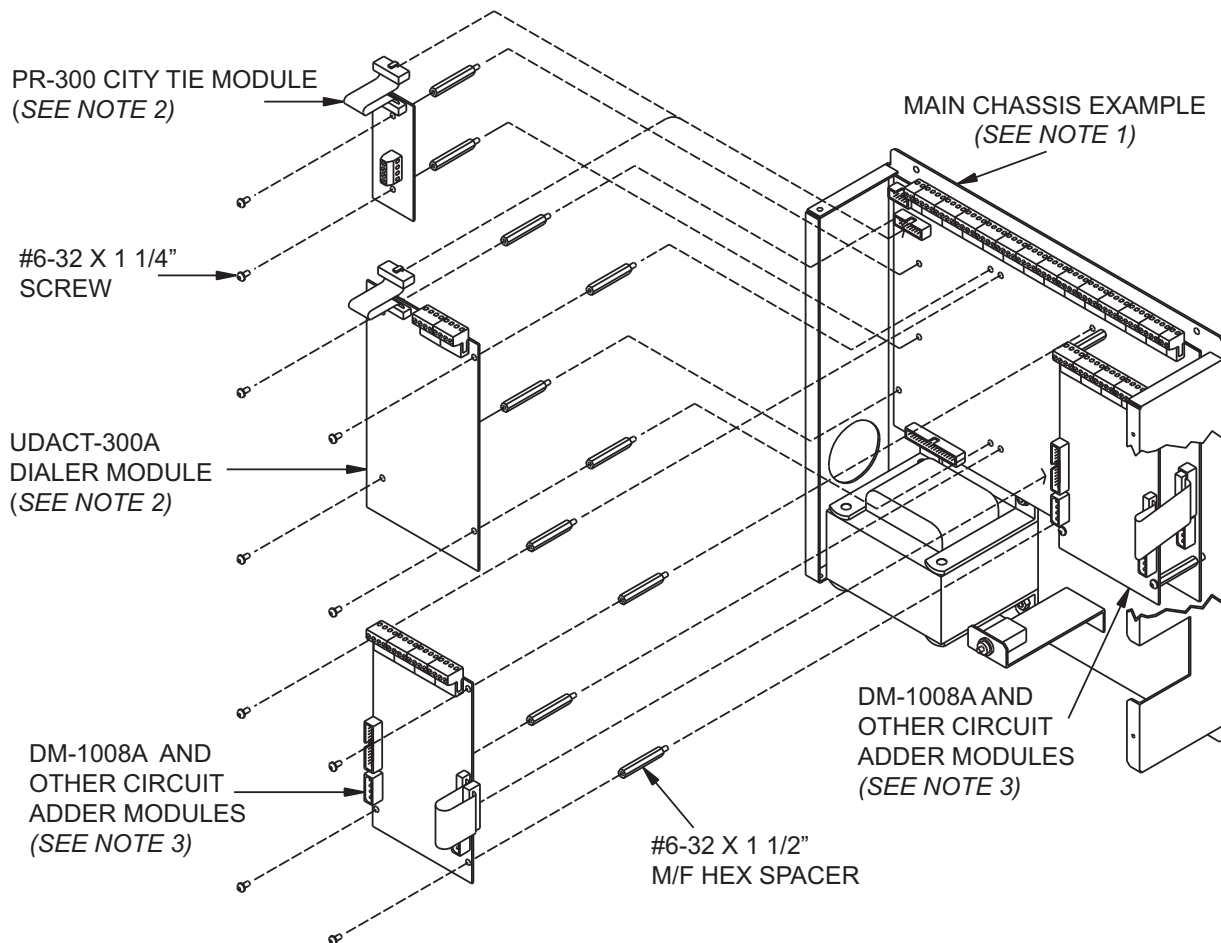
Module Mounting Locations

The DM-1008A Hardware Detection Adder Module provides eight fire alarm initiating circuits. Refer to Figure 1 below for mounting locations.



Note: Only the last circuit adder module should have a jumper plug on its continuity jumper; all others must be left without a jumper plug.

Figure 1: Module Mounting Locations

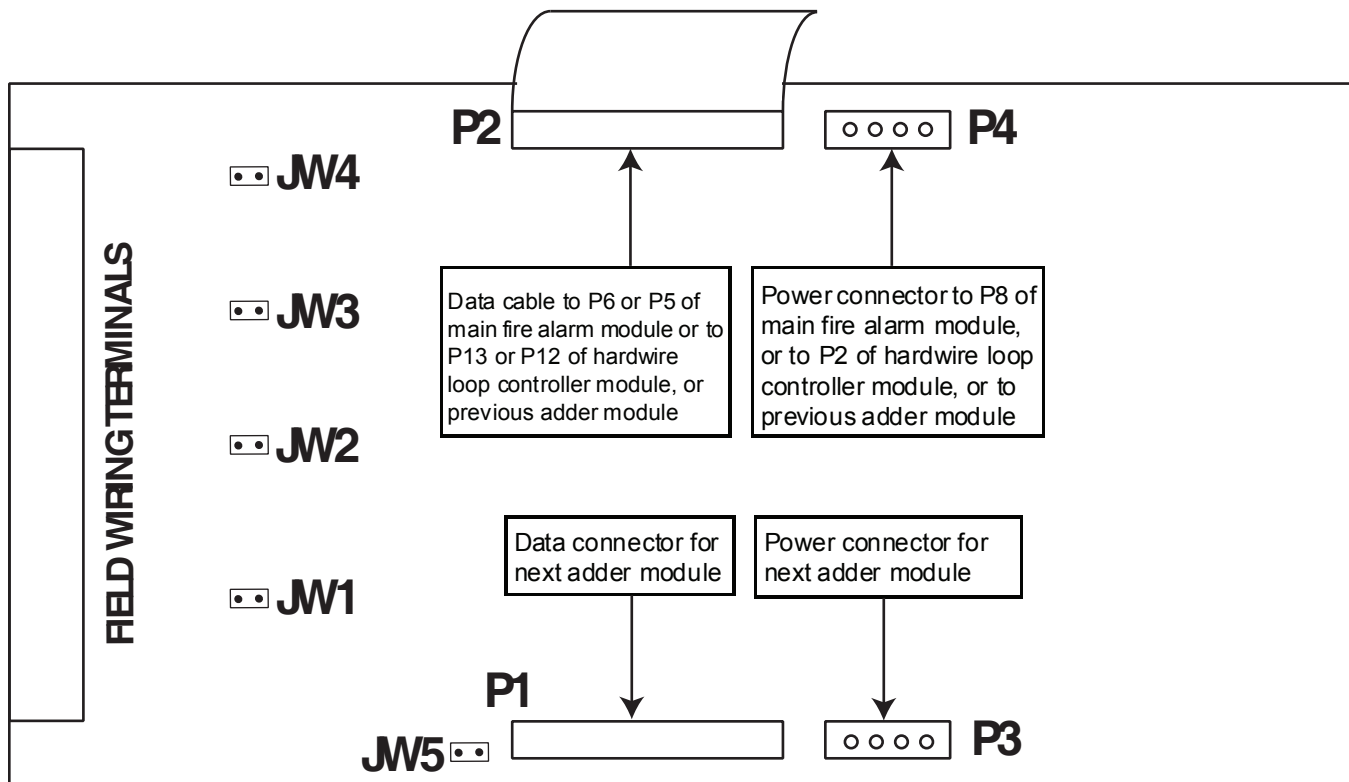


Notes:

1. Front plate is not shown.
2. Reserved for PR-300 or UDACT-300A.
3. Other circuit adder modules may be:
 - **DM-1008A Detection Circuit Adder Module**
 - SGM-1004A Signal Circuit Adder Module
 - RM-1008A Relay Circuit Adder Module
 - FNC-2000 Network Controller Module
 - ALCN-792M Loop Adder Module

Terminal and Jumper Locations

Figure 2: DM-1008A 8 Detection Adder Module



JW1: Install jumper for Class A (Style D) operation of initiating circuits 1 and 2.

JW2: Install jumper for Class A (Style D) operation of initiating circuits 3 and 4.

JW3: Install jumper for Class A (Style D) operation of initiating circuits 5 and 6.

JW4: Install jumper for Class A (Style D) operation of initiating circuits 7 and 8.

JW5: **If and only if** this module is the last in a chain of conventional adder modules, short this jumper. Otherwise this jumper must remain open.



Note: Refer to operating manual of the Fire Alarm Panel for complete and specific details regarding mounting, function selection and wiring.