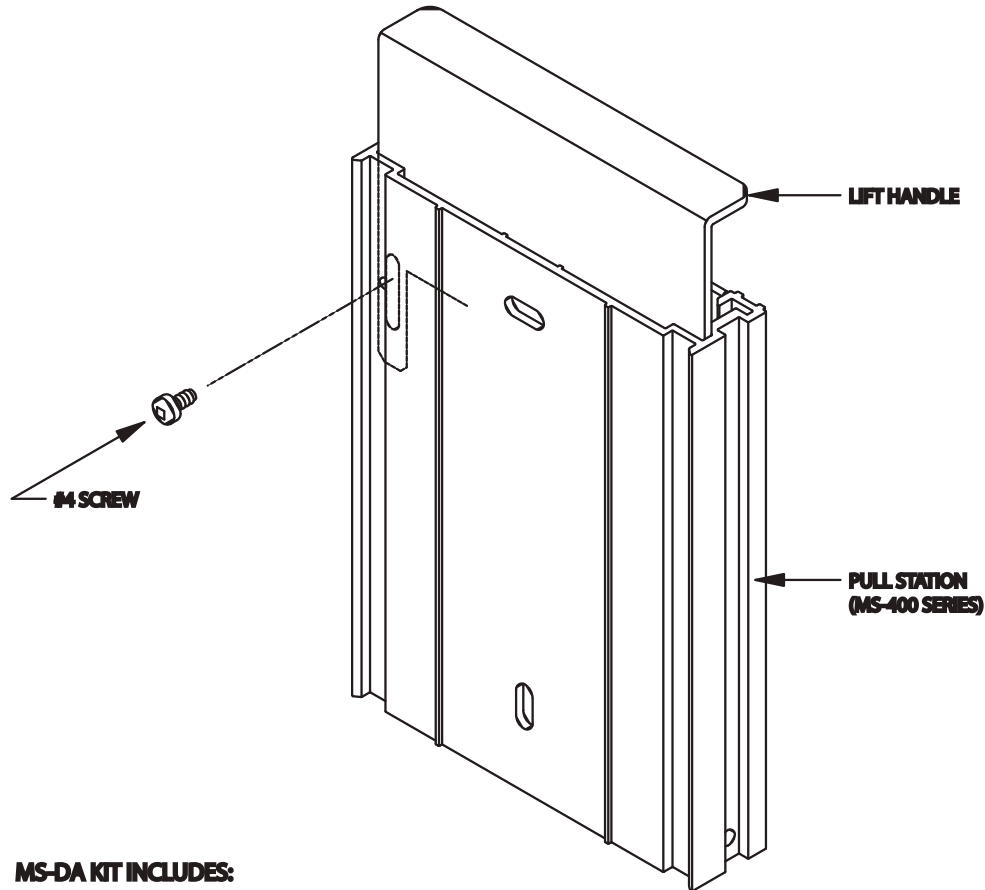


# MS-DA Installation Sheet

Mircom's MS-DA Double Action lever kit is used in conjunction with the MS-400(U) Series of Manual Stations. It converts those listed below from a single action to a double action station.

All manual fire alarm stations shall be installed as per the specific requirements outlined in the UL codes, as well as all other applicable national or local codes. Final acceptance is subject to the local authority having jurisdiction.



#### MS-DA KIT INCLUDES:

- 1 - #4 x 1 1/4" LONG PAN/SQ. 'B' SCREW
- 1 - LIFT HANDLE

## Models

MS-401(U):	Single Stage Manual Station
MS-401SU:	Single Stage Manual Station Spanish Version
MS-402(U):	Dual Stage Manual Station
MS-403(U):	Single Action, Blue Manual Station
MS-404(U):	Single Action, Yellow Manual Station
MS-406(U):	Dual Stage Manual Station with Additional N.O. Switch
MS-408(U):	Dual Stage Manual Station with Additional N.C. Switch

#### Notes:

- The suffix "U" denotes USA version.

**Canada**  
25 Interchange Way  
Vaughan, ON L4K 5W3  
Tel: (888) 660-4655  
(905) 660-4655  
Fax: (905) 660-4113

**U.S.A**  
60 Industrial Parkway, PMB 278  
Cheektowaga, New York 14227  
Tel: (888) 660-4655  
(905) 660-4655  
Fax: (905) 660-4113

  
**MIRCOM**<sup>®</sup>  
Advanced Life Safety Solutions<sup>sm</sup>  
[www.mircom.com](http://www.mircom.com)