



**CA-1010
INSTALLATION
MANUAL**

TABLE OF CONTENTS

	<u>Page #</u>
1. Backbox Housing Installation.....	1
2. System Wiring	2
3. System Transformer	2
4. Door Station	2
5. Remote Room Station	3
6. Auxiliary Input	4
7. Electric Lock	4
8. Trouble Shooting Chart	4
9. IS-1000A Master Station Over-Ride Feature	5

INTRODUCTION

The CA-1010 system is very easy to install. All wiring connections are easily identified by the Terminal Board Silkscreening.

1. Backbox Installation

- A) Locate the Indoor Housing (IB-810) and Outdoor Ring (OB-1000) at convenient locations.
- B) Do not install in areas of extreme cold or direct heat
- C) Do not install two room stations back to back in the same wall partition as this may cause feedback in the system (See Fig-1A)
- D) See Figure 1b for Outdoor Housing OB-1000 Installation
- E) The main panel mounts to any wall surface with four mounting screws provided. The exterior dimensions of the panel are

336mm(L) x 307mm(W) x 77mm(D)
13.20"(L) x 12.05"(W) x 3.00"(D)

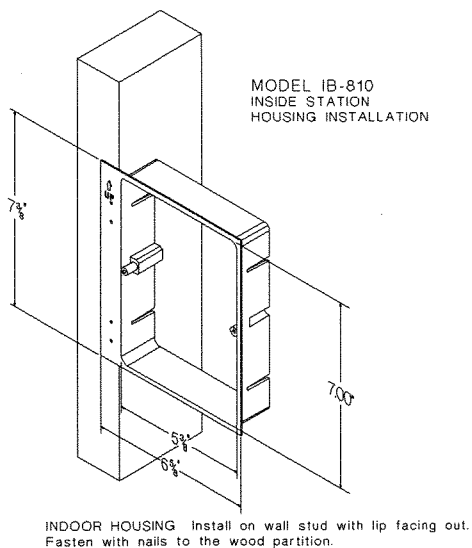


FIGURE 1A

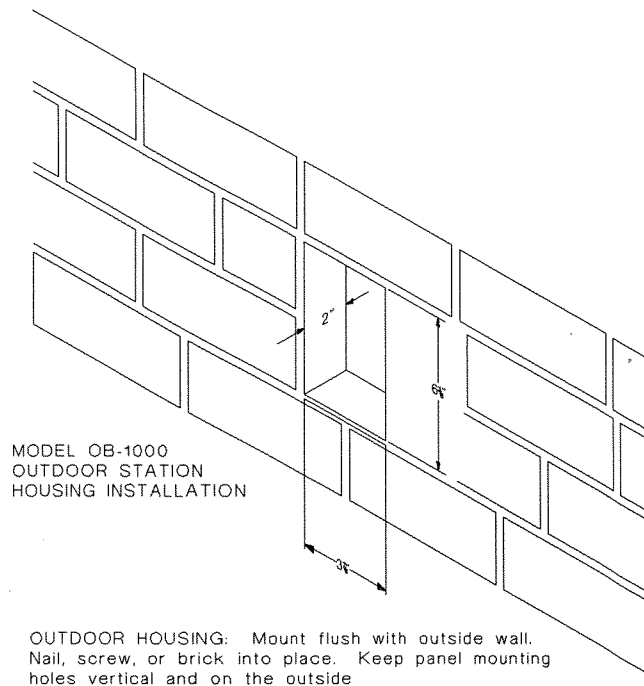


FIGURE 1B

2. SYSTEM WIRING

--- CAUTION ---

DO NOT MAKE ANY WIRING CONNECTIONS WITH THE POWER ON.
DAMAGE WILL OCCUR AND WARRANTY WILL BE VOIDED.

- A) The CA-1010 System can be wired using non-twisted cable. Four conductors are required for each remote station (IS-1000A/OS-1010A).
- B) The maximum distance from the CA-1010 Master Panel to a remote station (IS-1000A/OS-1010A) is 60 metres (200 feet) when using 22AWG wire.
- C) All station wiring (IS-1000A) and door station wiring (OS-1010A) must be home run back to the master panel. Leave approximately 25cm (10 inches) of cable at both ends for final connections.
- D) Cables must be installed away from power wiring, transformers, fluorescent lights, lighting dimmers and other electrical fixtures. Do not install wire in the same conduit with power wiring.

3. SYSTEM TRANSFORMER

- A) The CA-1010 System requires a 16V 40VA transformers for proper operation. It should be installed near a source of 120VAC, the fuse panel is a good location.
- B) Use 3 conductors 18AWG wire from the transformer to the CA-1010A panel. If the distance is greater than 15.0m (50 feet) then use 16AWG.
- C) The transformer connections are made at TB3 on the intercom terminal board (See Figure 2).
- D) Caution do not apply power to the system at this time.

4. DOOR STATION

- A) Up to three door stations can be connected to the CA-1010 system. Each door station requires its own OS-1010A interface module.

- B) The OS-1010A interface module should be installed within 1 m (3 feet) of the door station (OS series). If the OB-1000 backbox is used, the OS-1010A can be installed inside of it.
- C) Only one door station per cable and all wiring must be home run.
- D) See Figure 2 for wiring connections.

NOTE:

By connecting "V" and "D" to the following terminals on TB2 determine the chime notes and station number

TERMINAL LOCATION	CHIME NOTES	STATION No.
Front Door V & D	3	14
Side Door V & D	2	15
Back Door V & D	1	16

5. REMOTE ROOM STATION (IS-1000A)

- A) Eleven IS-1000A remote stations can be connected to the CA-1010. Only one IS-1000A station can be connected per cable. All wiring must be home run. (See Figure 2).
- B) The terminals "V" and "D" on the CA-1010 where the IS-1000A are connected determines the station number. For example, when connecting "V" and "D" from a IS-1000A to "3V" and "3D" on the CA-1010A terminal board, the IS-1000A becomes Station Number 3. The Plus and GND Terminals are common for all stations.

Note

Each room station is identical, however by connecting a room station to terminal "2V" and "2D", you program this station to become the Master room station. The Master room station is typically located in the master bedroom. This station is able to override any other room station's setting and can not be monitored (See Operating Instructions)

6. AUXILIARY INPUT

- A) An AUX source (tape deck,cd,etc.) can be connected to the CA-1010 system. It is recommended that shielded cable is used for this connection. The output level from the AUX. source should be 100mV to 200mV.
- B) The input level can be adjusted with the potentiometer on the intercom terminal board.
- C) The AUX. connections are made on TB4. The right or left side can be connected.

7. ELECTRIC LOCK

- A) The relay output terminals at TB2 are used to control a relay (RL-1000) which triggers a door strike.
- B) The electric lock can only be triggered if the door chime button is pressed. The electric lock will stay energized for approximately 5 seconds.

8. TROUBLE SHOOTING GUIDE

Trouble-Probable Cause Solution

- A) **Nothing Works** - No AC Power
 - Check for 16V AC from transformer
 - Check 3 AMP fuse on Power Supply
- B) **No Door Chime** - OS-1010A Module
 - Check module wiring
 - Check push-button on outdoor station
- C) **Hum in Speaker** - Intercom wiring runs too close to A.C household wiring causing interference from electrical fixtures
 - Keep intercom wires as far as possible from household A.C. power wiring. Do not run wiring to A.C connected to a florescent light or dimmer switch.

D) **Room Station Not Working** - Incorrectly wired, defective room station /terminal board

- Check wiring at room station and at master panel
- Connect to a different channel

F) **No Door Communication** - OS-1010A module / OS-1000 series door station

- Check wiring
- Check OS-1010A module
- Check speaker
- Check microphone

IS-1000A MASTER STATION OVER-RIDE FEATURE

A Master Room Station gives the person the ability to monitor or call another person's room no matter what the status of the room station is in. A regular room station will not be able to call another room station that is in the privacy or monitor mode. A Master Room Station cannot be monitored.

Examples of operation:

Master Room Station (#2)

(1) Here is the sequence of operations to monitor a room station(#4) in the privacy mode

No.1- Press '*'

No.2- Press '3'

No.3- Press '#'

No.4- Press '04'

Unit will flash RED Privacy L.E.D. momentarily to inform you the station being monitor is in the "Privacy" mode. Wait a couple of seconds and the unit will monitor the monitor the station being called.

At the called room station the RED Privacy L.E.D which is lit showing that the "privacy" mode is in effect will turn off. The GREEN L.E.D will now turn on showing the person that their room station is now being monitored.