

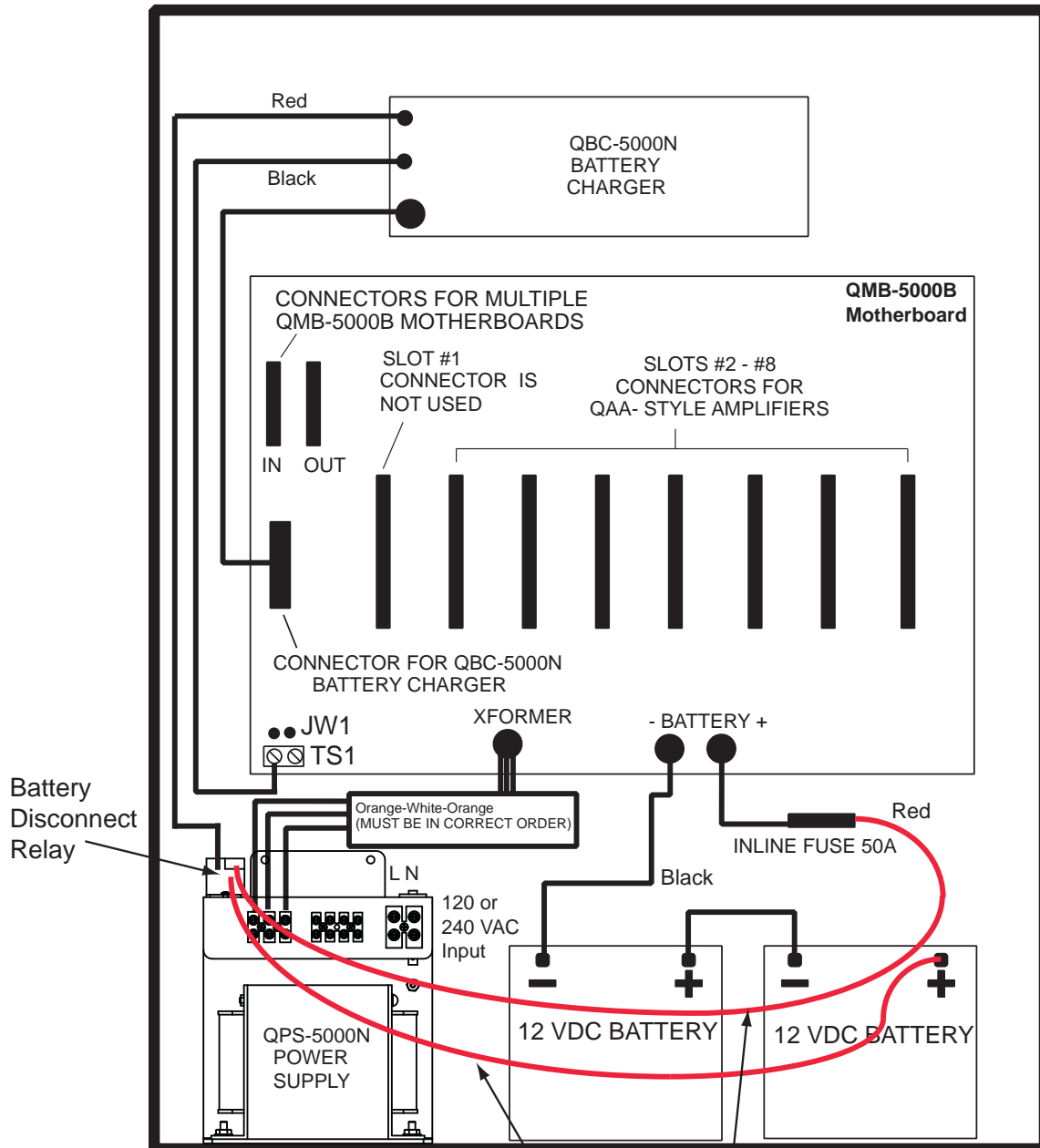
### QPS-5000N Audio Power Supply

The QPS-5000N Audio Power Supply mounts into the QBB-5001 expansion audio cabinet. The power supply chassis mounts into the bottom left section of the audio cabinet as shown in Figure 1 below.

On the top portion of the power supply chassis is a battery disconnect relay.

**Figure 1: QBB-5001 Expansion Audio Cabinet Module Placement**

SECURE QPS-5000N POWER SUPPLY TO BACKBOX WITH LUGS AND NUTS PROVIDED

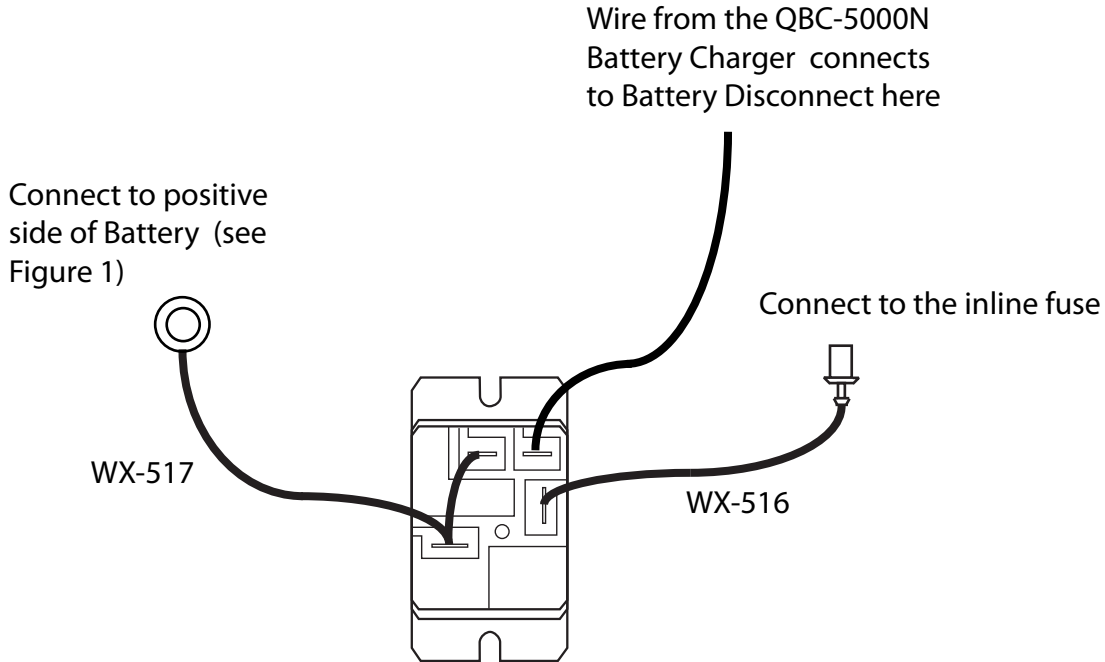


Connecting wires are provided with the QPS-5000N Power Supply Chassis.

## QPS-5000N Power Supply Battery Disconnect Relay Connection

Two red wires are provided with the power supply to hook up the Battery Disconnect Relay. The other wire to be connected to the Battery Disconnect Relay comes from the QBC-5000N Battery Charger (the red wire soldered to the board) with a lug connector on the end (refer to Figure 1). Wire as noted in Figure 2 below.

**Figure 2: Battery Disconnect Relay Wiring (Relay located on the QPS-5000N Power Supply Chassis)**



**Battery Disconnect Relay (Top View)**

## QPS-5000N Power Supply Voltage Connection

Two jumpers are provided as shown in Figure 3 below for 120 VAC connection. For 240 VAC application, remove both jumpers and replace one jumper between the two middle terminals. The two terminals on the right are N (neutral), L (live) for AC voltage connection. The three terminals on the left are connected from the QMB-5000B motherboard as orange-white-orange (left to right) in that order.

**Figure 3: AC Voltage Wiring to QPS-5000N**

