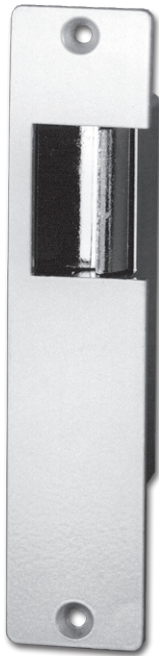


## ELECTRICAL DOOR STRIKES

## M-SERIES

### Description

The Mircom M-Series Door Strikes are to be used in new or replacement installations in metal jambs. The door strikes come equipped with a heavy duty latch spring and are made with a solid cast latch. The M-Series are corrosion resistant and have a fail-secure feature.



### M-10 Door Strike

To be used with locksets having up to 1/2" throw.

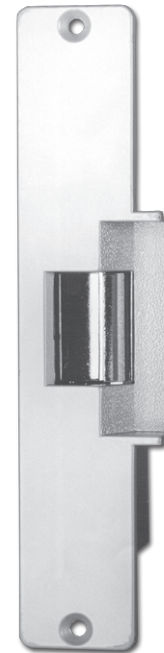
- NARROW STYLE  
face plate 1 1/4" Wide
- SOLID CAST LATCH  
Cavity Measurements  
Depth - 1/2";  
Width - 1/2";  
Height - 1 3/8"
- HEAVY DUTY LATCH SPRING
- MORTISE TYPE  
Backset 1 9/16" Deep
- FAIL-SECURE - (Standard Action)  
Unlocks when Energized
- CORROSION RESISTANT  
Plated Face Plate and Latch
- SATIN BRASS finish
- ELECTRICAL SPECS.  
Voltage: 8-16 AC/DC



### M-10HD Heavy Duty Door Strike

Use with locksets up to 5/8" throw

- NARROW STYLE  
face plate 1 1/4" Wide
- SOLID CAST LATCH  
Cavity Measurements  
Depth - 5/8";  
Width - 9/16";  
Height - 1 1/2"
- HEAVY DUTY WIRE LEADS  
6", 18 AWG
- SOLENOID ACTUATED  
Push/Pull Linkage
- MORTISE TYPE  
Backset 1 1/2" Deep
- FAIL-SECURE - (Standard Action)  
Unlocks when Energized
- CORROSION RESISTANT  
Plated Face Plate, Cast Latch,  
Die Cast Case
- HEAVY DUTY CONSTRUCTION  
SATIN BRASS finish
- ELECTRICAL SPECS.  
Voltage: 8-16 AC/DC



### M-20 Door Strike

Use with locksets having up to 1/2" throw.

- AUXILIARY LEVER RAMPS  
For locksets with auxiliary dead  
locking levers
- SOLID CAST LATCH  
Cavity Measurements  
Depth - 1/2";  
Width - 9/16";  
Height - 1 3/8"
- HEAVY DUTY LATCH SPRING
- MORTISE TYPE  
Backset 1 9/16" Deep
- FAIL-SECURE - (Standard Action)  
Unlocks when Energized
- SATIN ZINC finish
- ELECTRICAL SPECS.  
Voltage: 8-16 AC/DC

CATALOG NUMBER **7900**

NOT TO BE USED FOR INSTALLATION PURPOSES.

Mircom reserves the right to make changes at any time without notice in prices, colours, materials, components, equipment, specifications and models and also to discontinue models.

## Compatible Locksets

### M-10

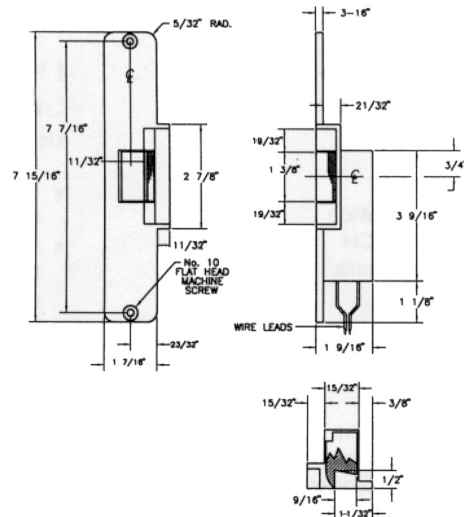
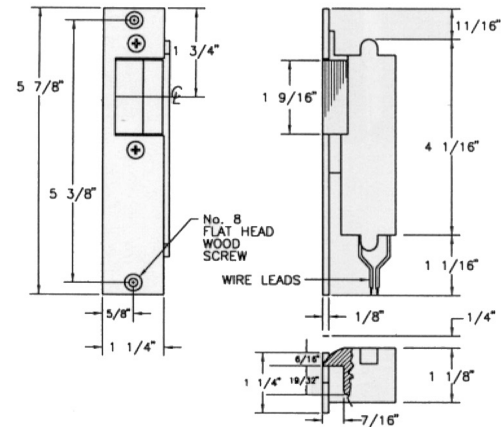
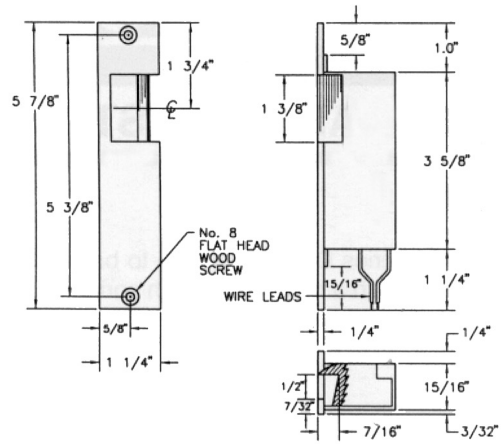
Accurate	*66
Arrow	Comet, **150-750
Best	**52K-53K
Corbin	**5600
Dexter	Dexlock, **Duralock, Lifebolt
Dominion	**400, 5000
Falcon	A, BA, C, **E, **S
Harlock	HDCS Twin-Lock
Ilco	400
Kwikset	400, **500, 600
Lockwood	**S
National	400
PDQ	**SD, SS/SV
Ruswin	S700
Sargent	**6G
Schlage	**A, F
Weiser	A, C, *E
Yale	5200, **5300

### M-10HD

Accurate	62, 66, 76
Arrow	Comet, 150-750, 1000-7500
Best	52K-53K, 7K-77K, 8K-83K
Corbin	400, 5600, 5700
Dexter	Dexlock, Duralock, Lifebolt
Dominion	300, 400, 5000
Falcon	A, BA, C, E, S, X
Harlock	HDCS Twin-Lock
Ilco	400
Kwikset	400, 500, 600, 800
Lockwood	H-300, S, 930
G, Marks	1100
National	400
PDQ	SH, SD, SS/SV
Ruswin	400, 3300, 4300, 5700
Sargent	6G, 7G, 8G, 9G
Schlage	A, B (DL), C-D, E, F, H
Simplex	1000
Weiser	A, C, E, X
Yale	5200-5500, 5700

### M-20

Accurate	66
Adams rite	4500
Arrow	Comet
Corbin	5700
Dexter	Dexlock
Dominion	5000
Falcon	*A
Harlock	HDCS
Ilco	400
Kwikset	400
National	400
PDQ	SS-SV
Ruswin	5700
Schlage	F
Weiser	A
Yale	5200



NOT TO BE USED FOR INSTALLATION PURPOSES.



#### Canada

25 Interchange Way  
Vaughan, Ontario L4K 5W3  
Telephone: (905) 660-4655  
Fax: (905) 660-4113

#### U.S.A.

4575 Witmer Industrial Estates  
Niagara Falls, NY 14305  
Toll Free: (888) 660-4655  
Fax Toll Free: (888) 660-4113

Web page: <http://www.mircom.com> Email: [mail@mircom.com](mailto:mail@mircom.com)

Distributed by:



CAT. 7900  
Rev. 4