



Features

- Easy to use
- Attractive low profile styling
- Pleasant electronic call tone
- Exceptionally clear communication
- White ABS case
- Door lock release key
- Supplementary buttons

Description

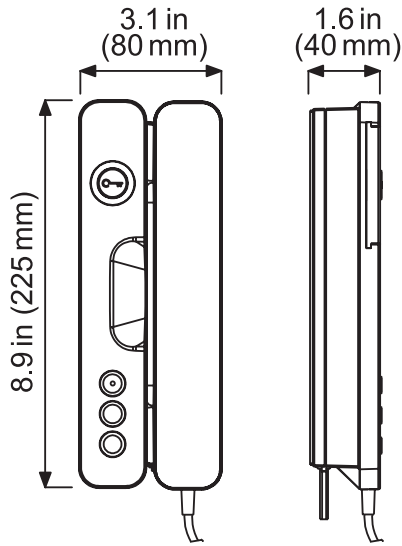
The Signo 2Voice, 2 wire 1183/2 handset features a sleek, extremely compact, low profile door phone which is the slimmest in its class. The neutral glossy white exterior of the handset complements any interior.

The durable, high impact plastic interior of the Signo 1183/2 handset provides years of trouble-free service. The Signo 1183/2 handset offers exceptionally clear audibility as well as a pleasant electronic call tone to announces a visitor's call.

Operation

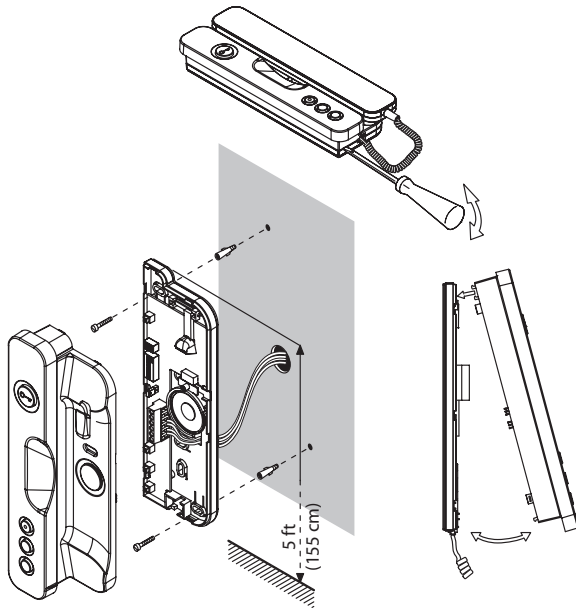
An electronic call tone announces a visitor's call. Lifting the Signo 1183/2 handset establishes communication with the visitor. Upon identifying the visitor, pressing the door release button allows the visitor entry into the complex. To end the call, simply hang up the handset.

Dimensions



Technical

Power supply voltage:	36 ÷ 48Vdc
Current consumption in standby:	3.0mA max
Max. current consumption:	70mA max
Operating temperature range:	23°F ÷ 113°F (-5°C ÷ +45°C)
Reference standards:	EN 61000-6-3 EN 61000-6-1
Max. humidity:	90% HR



Terminal Pins Description

Line	} Bus Line
Line	
CP	} Floor call
CP	
S+	} Additional ringer
S-	

Ordering Information

Model	Description
1183/2	Signo white intercom handset with door lock release key and 3 supplementary call buttons

NOT TO BE USED FOR INSTALLATION PURPOSES.



Canada
25 Interchange Way
Vaughan, Ontario L4K 5W3
Telephone: (905) 660-4655
Fax: (905) 660-4113

U.S.A.
4575 Witmer Industrial Estates
Niagara Falls, NY 14305
Toll Free: (888) 660-4655
Fax Toll Free: (888) 660-4113

Web page: <http://www.mircomgroup.com> Email: mail@mircomgroup.com

Distributed by:

ISO 9001:2008
REGISTERED



CAT. 6611
Rev. 2